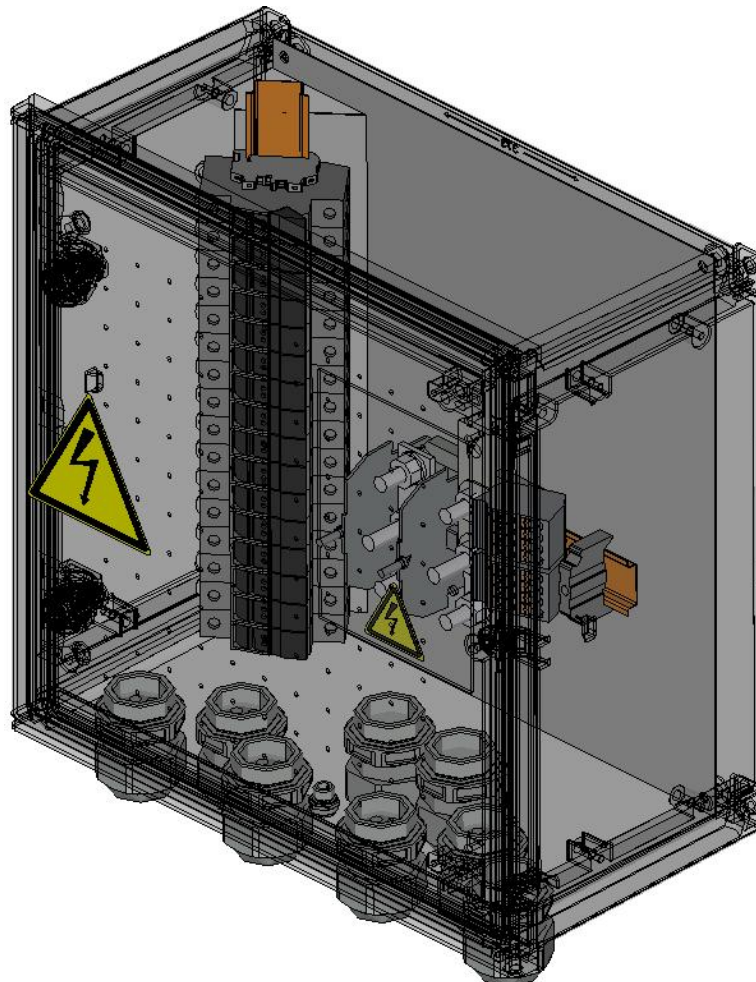


TECHNICAL DATASHEET

Combiner for SHP75 Inverter

SOL-SC1-16ST-0-F1-21

Item number: 1053571



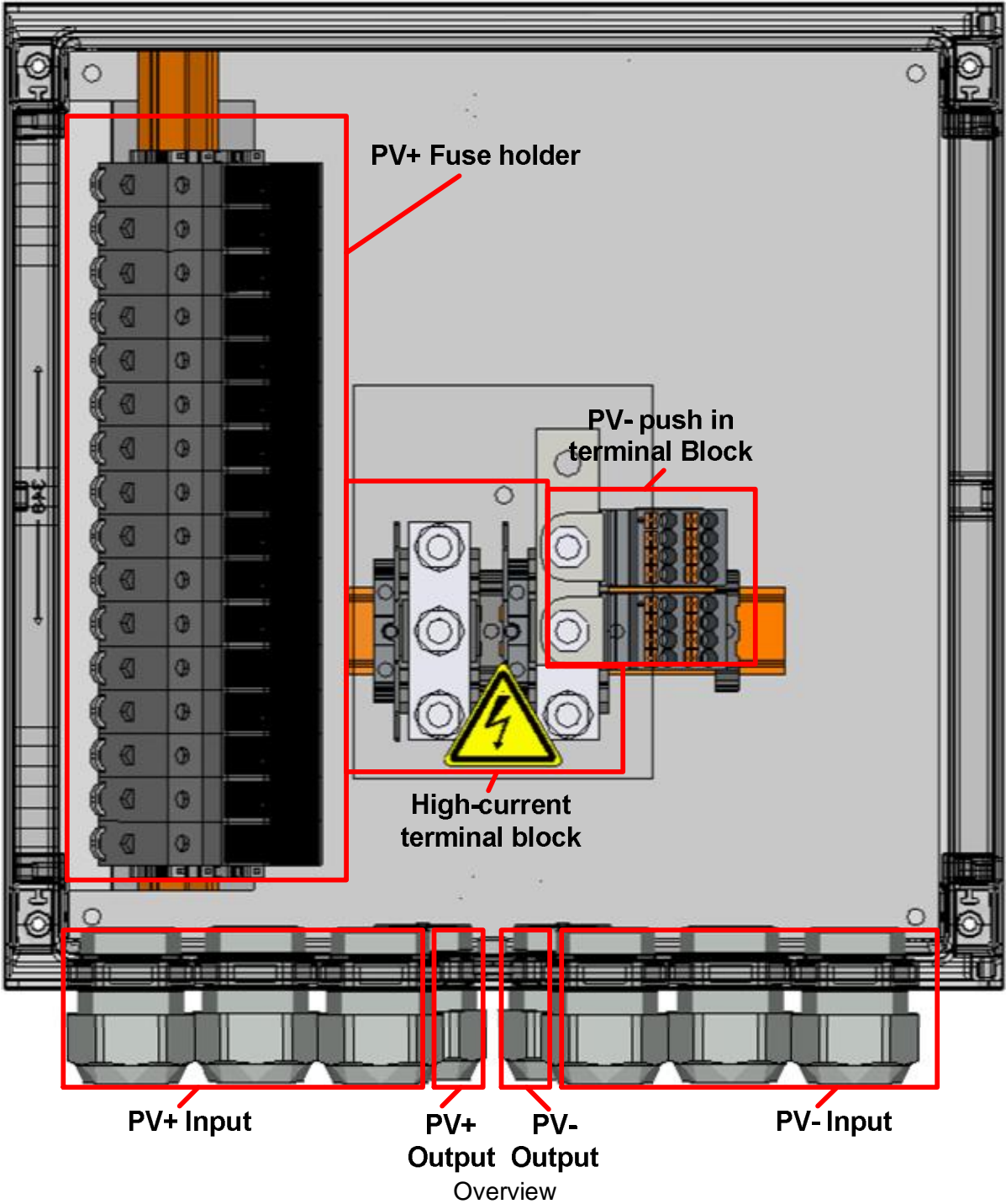
General technical data

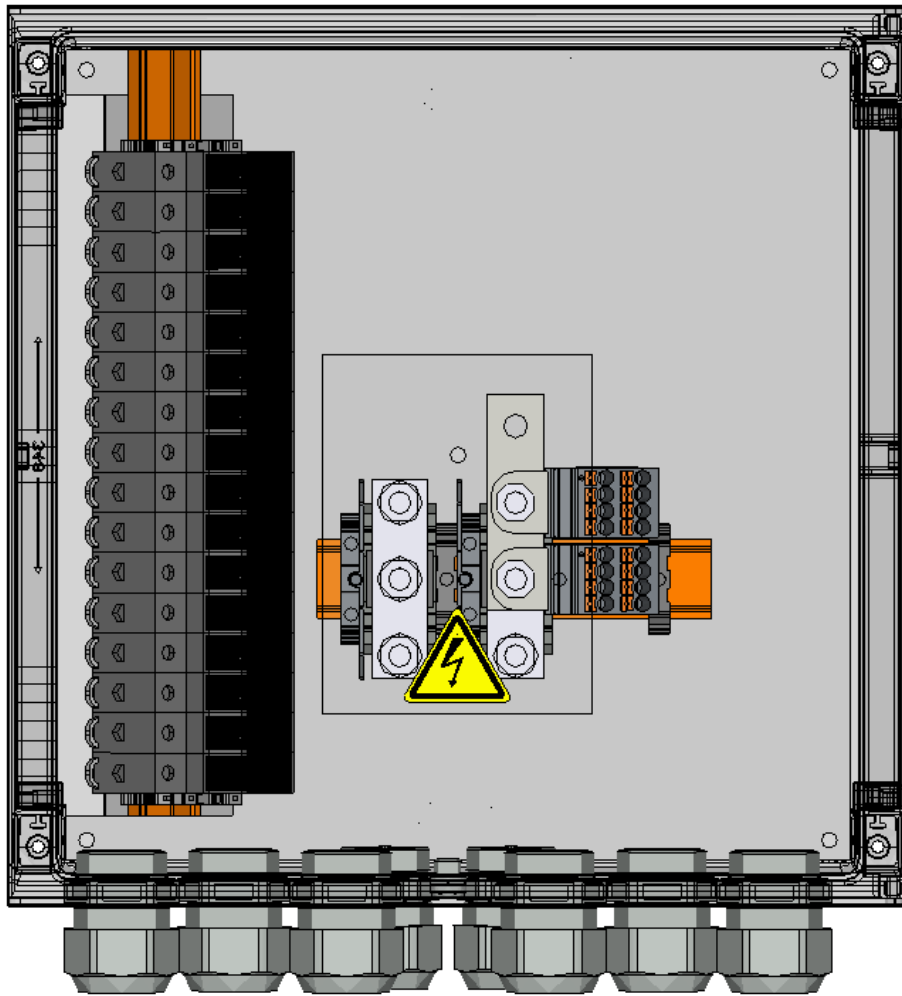
Type definition: **SOL-SC1-16ST-0-F1-21**

- Rated voltage $U_E = 1000V$ DC
- Max. continuous operating voltage $U_{max} = 1100V$ DC (Only short-time condition, without output load towards inverter)
- Nominal current per string $I_{nc} = 9A$ DC
- Max. current per string $I_{nc(max)} = 12,5A$ DC (With limited temperature range)
- Protection degree IP65
- Ambient temperature range $-20^{\circ}C \dots +60^{\circ}C$ (Derating above $+45^{\circ}C$)
- Enclosure material Glass fibre reinforced polyester
- Dimensions (WxHxD in mm) 400x400x200
- Supplementary equipment 1x Pressure compensation element
- Surge protection No SPD
- DC Input strings
 - o Number of strings: 16
 - o Monitoring: No monitoring
 - o String protection: 16 fuse holders (Only + side of strings protected)
 - o Fuse holder connection: Screw terminal fuse holder
 - o Fuses: 16 fuses 15A gPV 10,3x38 preassembled
 - o String connection DC-: Push-In terminal blocks
 - o String entry for "+" side: 3x cable gland M40 with multiple hole inserts
 - o String entry for "-" side: 3x cable gland M40 with multiple hole inserts
 - o Clamping range: 5...7mm
 - o Max. cross section: 4mm²...6mm² (stranded conductor with ferrule)
- DC output
 - o Cable glands: 2x M40 for + and – conductor
 - o Clamping range: 16...28mm
 - o Terminals: 2x high current bolt terminals
 - o Nominal current: 269A
 - o Connection: Direct connection on bolt terminal with cable lug
 - o Max. cross section: 120mm²

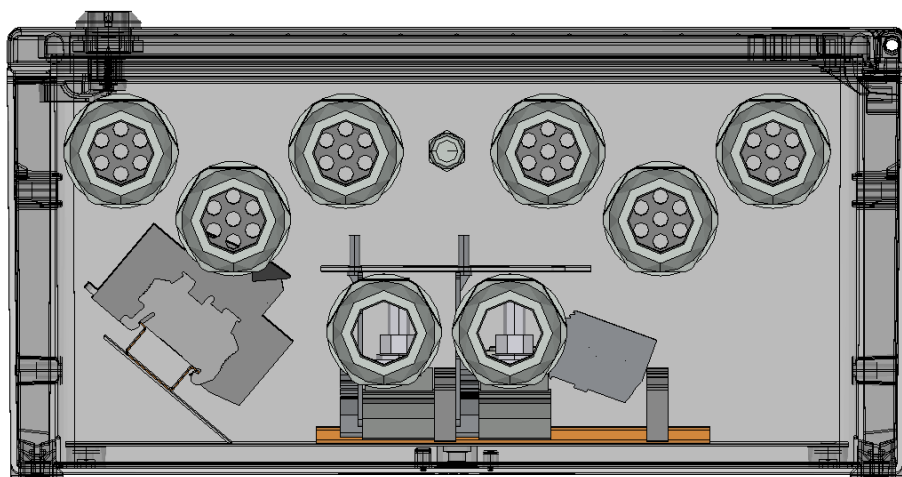


Layout/Drawings





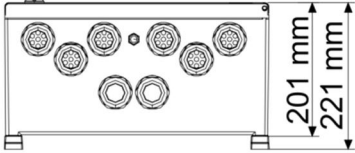
Front view



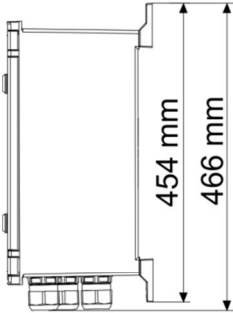
Bottom view



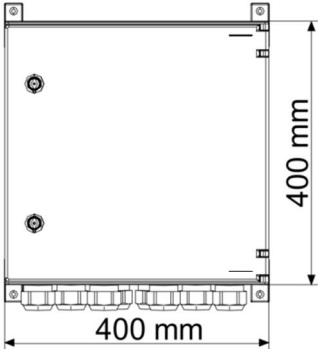
BOTTOM



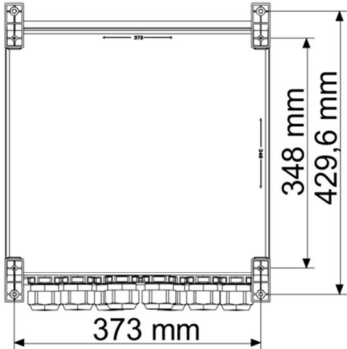
RIGHT



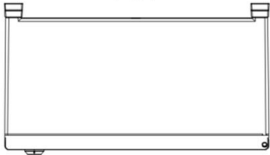
FRONT



BACK
(Mounting holes distances)



TOP



Dimension cabinet